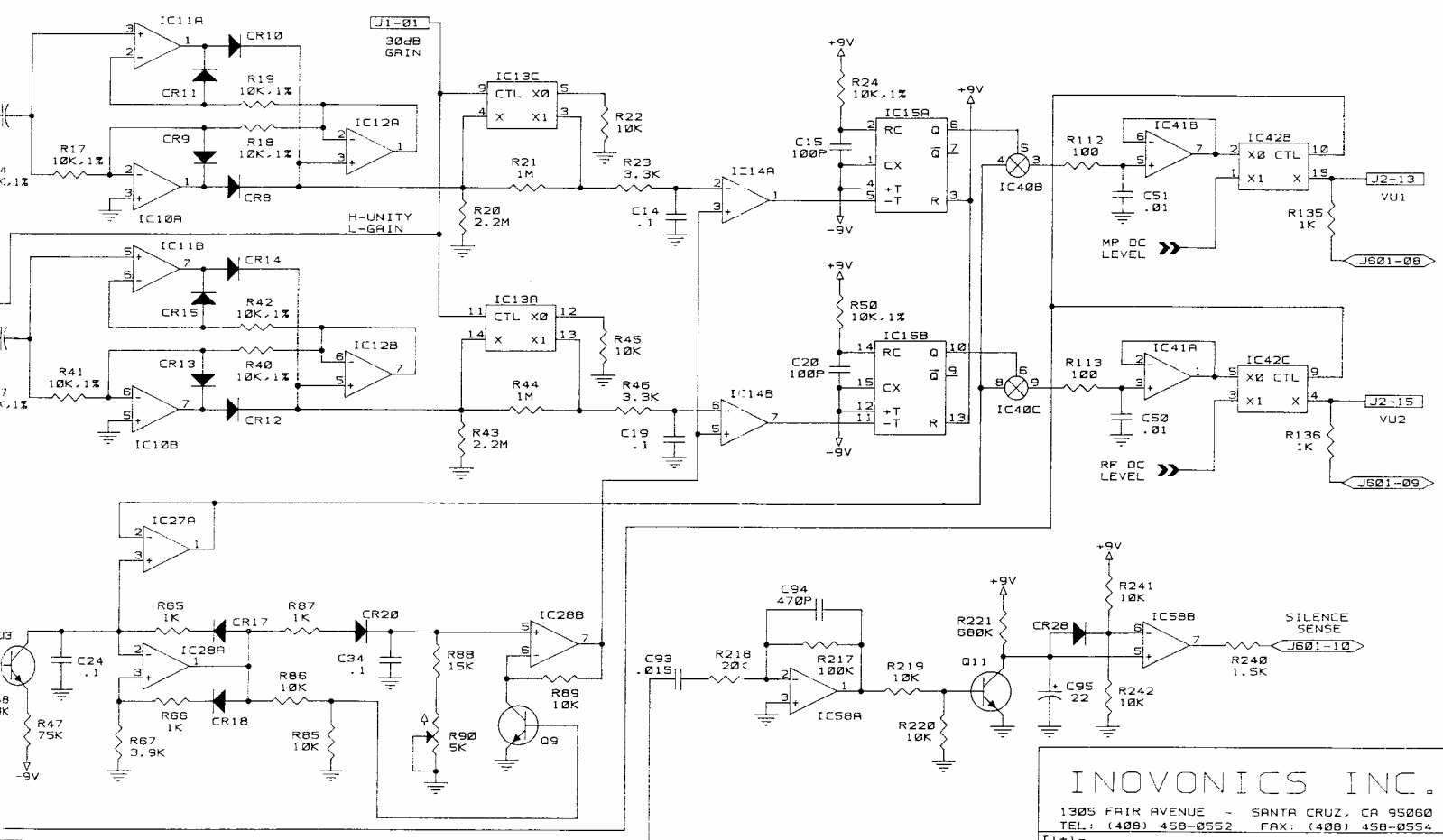
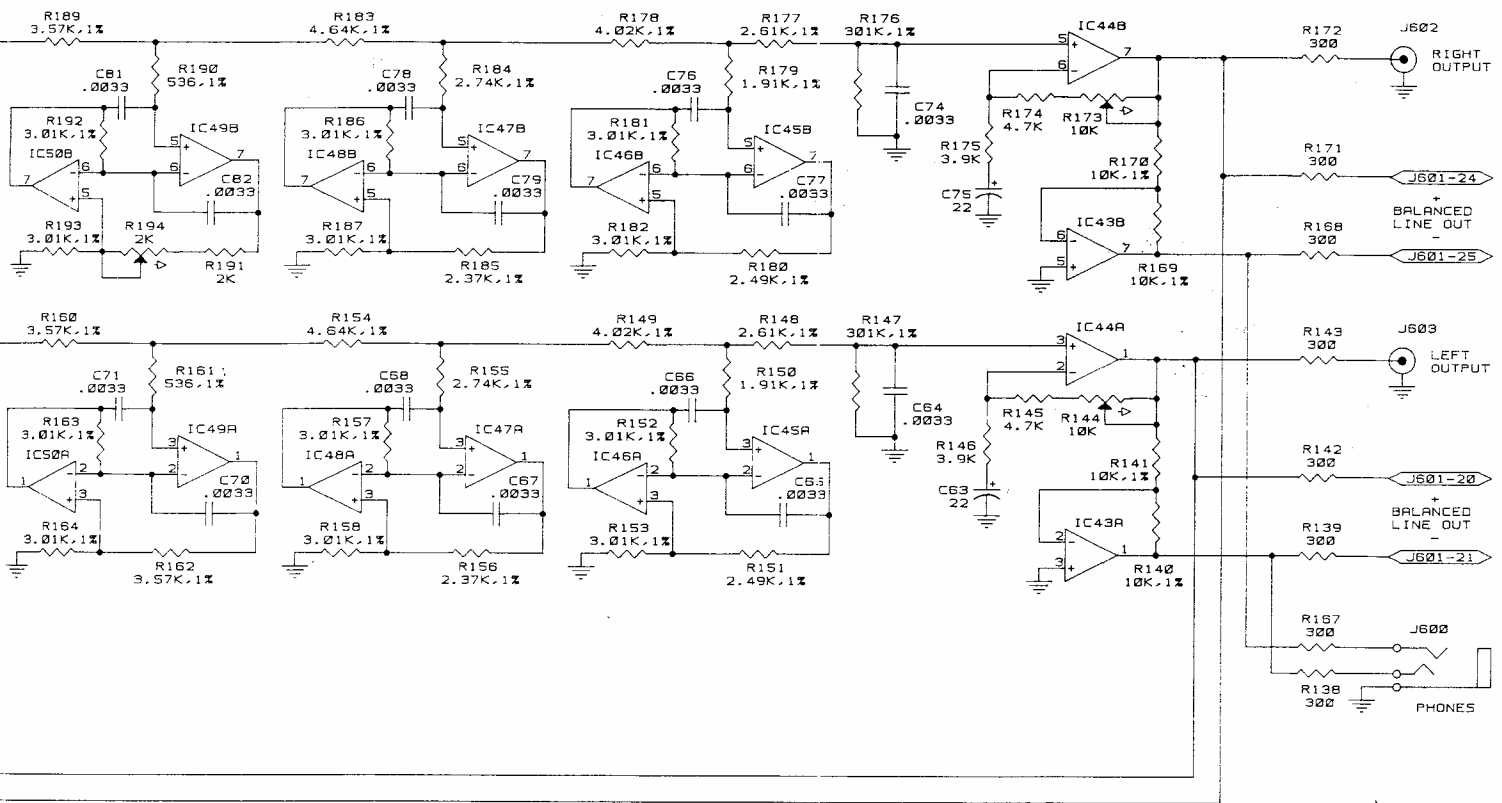


**INOVONICS INC.**  
 1305 FAIR AVENUE - SANTA CRUZ, CA 95060  
 TEL: (408) 458-0552 FAX: (408) 458-0554  
 Title: S30 - PAGE 1 MODULATION ANALYZER  
 Size: Document Number  
 C: 194100 D:  
 Date: April 15, 1994 Sheet 1 of 2

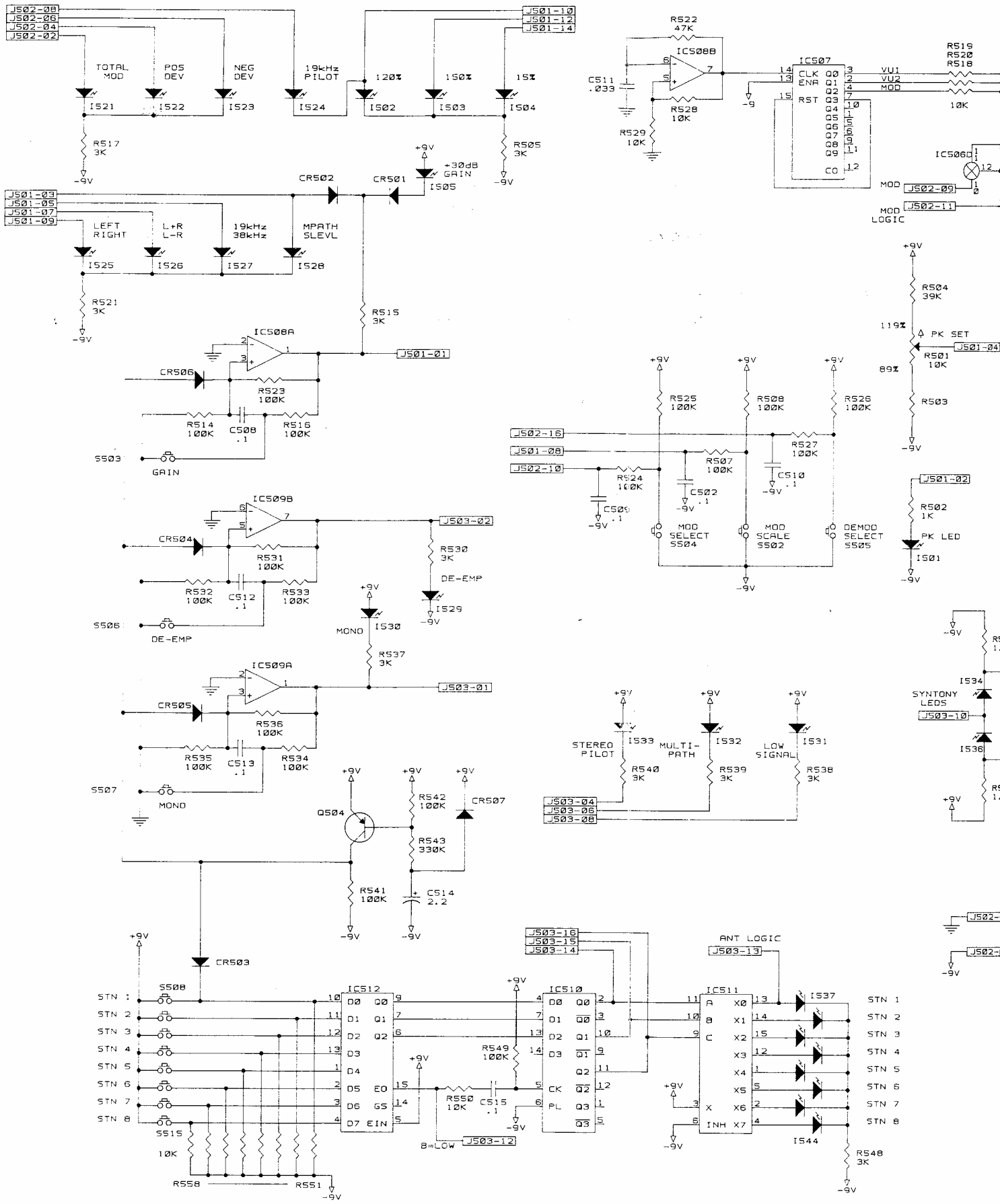
Schematic Sheet 1

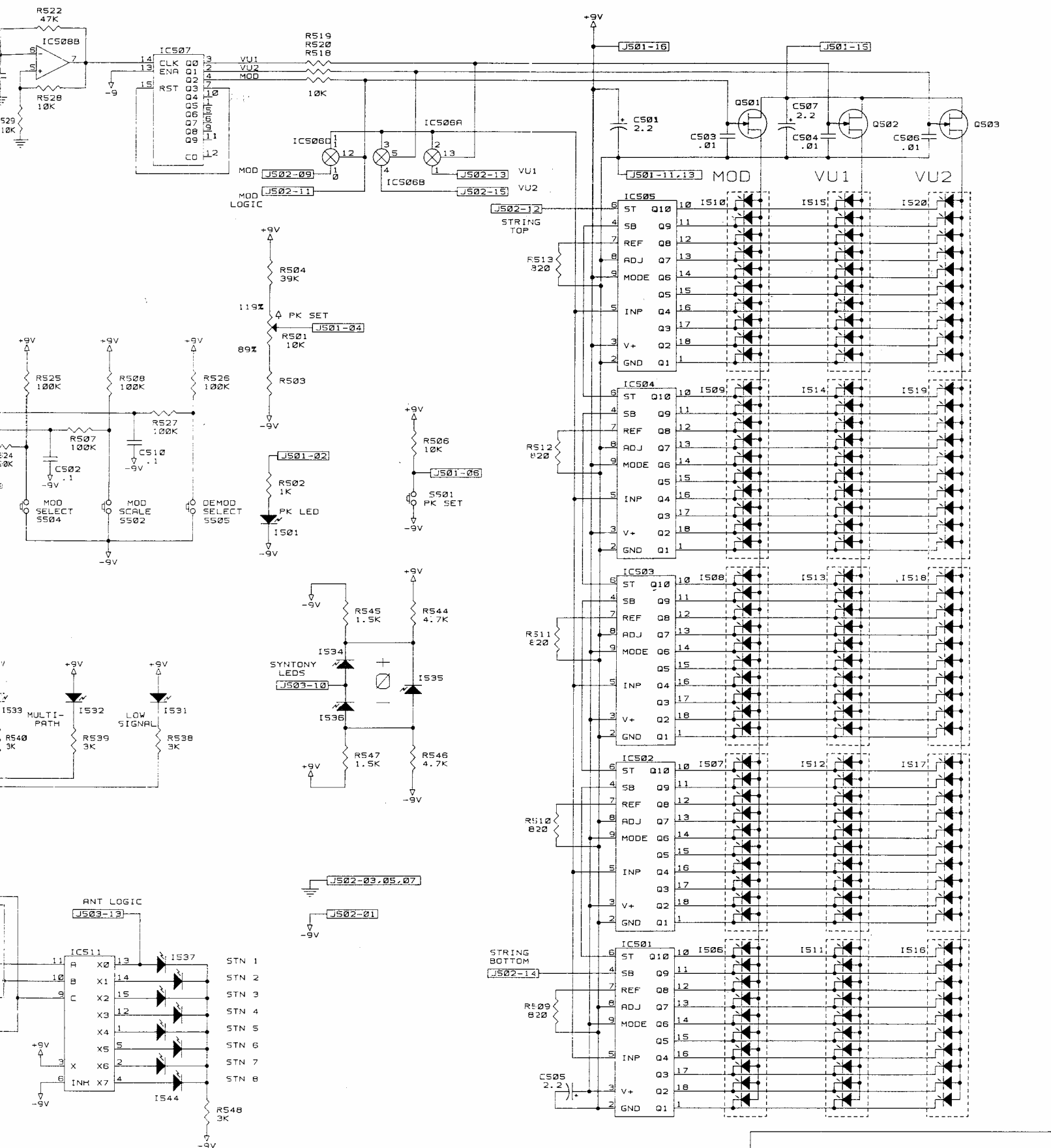




**INOVONICS INC.**  
 1305 FAIR AVENUE - SANTA CRUZ, CA 95060  
 TEL: (408) 458-0552 FAX: (408) 458-0554  
 Title: 530 - PAGE 2 MODULATION ANALYZER  
 Size Document Number: REV  
 C 194100 D  
 Date: April 15, 1994 Sheet 2 of 2

Schematic Sheet 2





INOVONICS INC.  
 1305 FAIR AVENUE - SANTA CRUZ, CA 95060  
 TEL: (408) 458-0552 FAX: (408) 458-0554

Title: 530 FRONT PANEL

Size: Document Number: REV  
 C 194200 C  
 Date: Apr 11 1994 Sheet 1 of 1